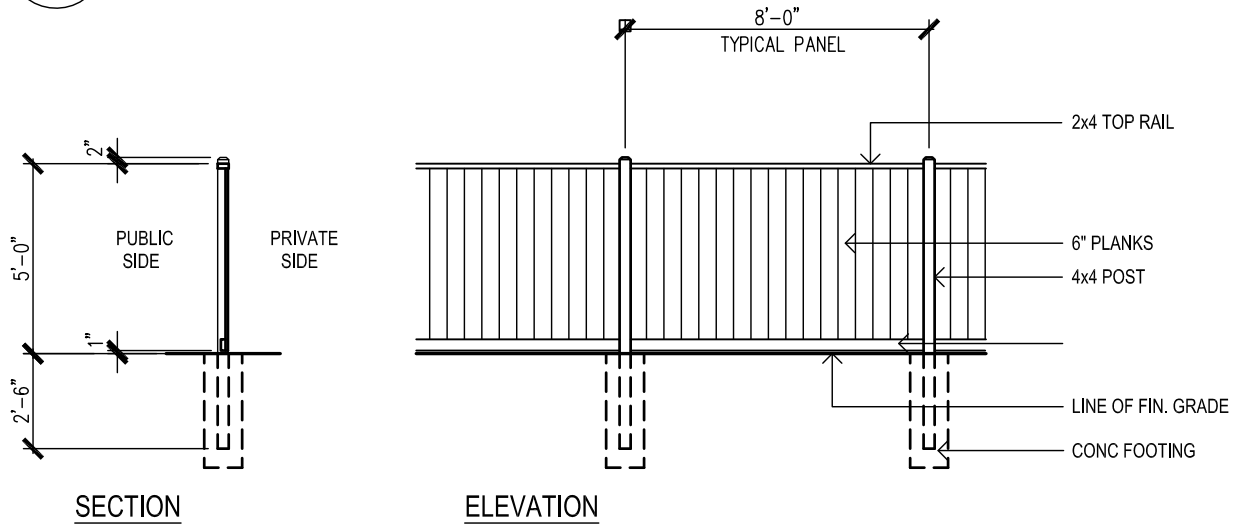


AXONOMETRIC VIEW AT CORNER

SCALE: 1/4" = 1'-0"

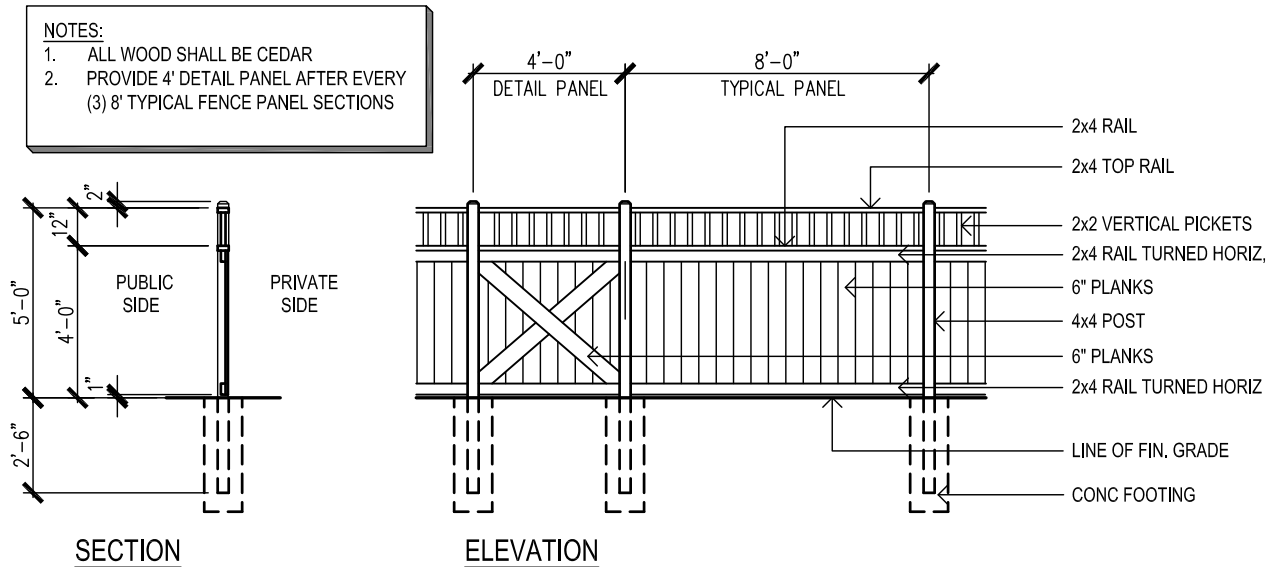


SECTION

ELEVATION

"NEIGHBOR" FENCE (AT BACK YARDS)

SCALE: 1/4" = 1'-0"



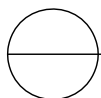
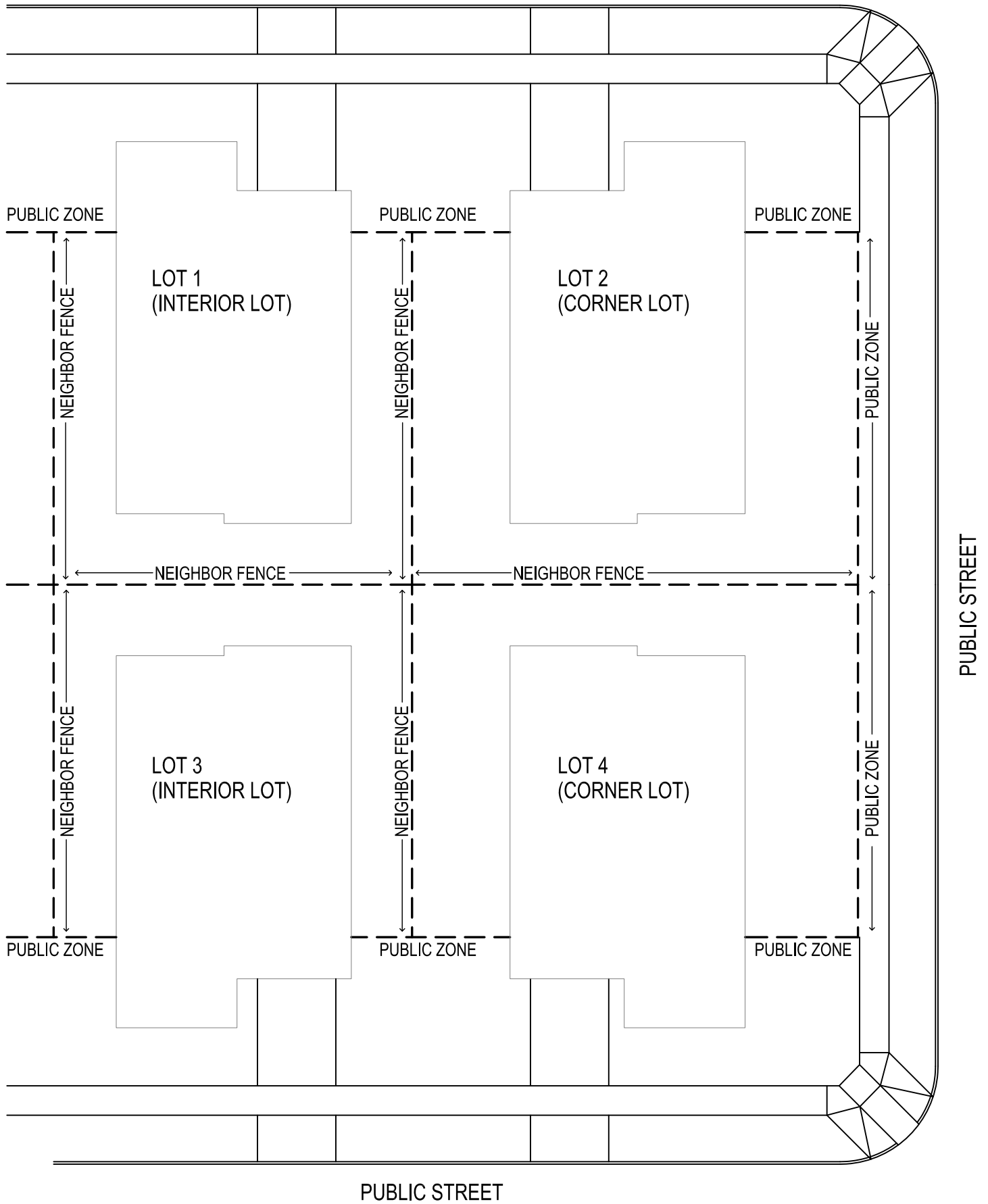
SECTION

ELEVATION

"PUBLIC" ZONE FENCE

SCALE: 1/4" = 1'-0"

PUBLIC STREET



SITE PLAN

NO SCALE